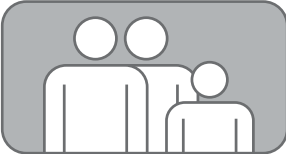

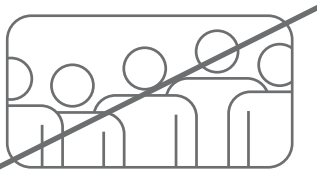
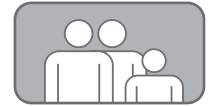


DORN  
BRACHT

*the SPIRIT of WATER*

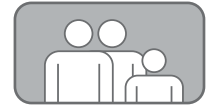
With this series of fittings, Dornbracht presents electronic basin mixers that operate by means of integrated infrared sensor technology. The individual fittings are coordinated to different areas of application and most importantly, to different user groups: the same users, who once they have learned what to do, can keep applying it and varying users, who have to work out what to do intuitively and immediately.

	Usage	Example	Function
	<p><b>SAME USERS</b></p> <p>Families, office communities or other fixed groups, for whom one explanation of how things work is enough.</p> <p>Private and not public area</p>	Bathroom, guest bathroom, guest toilet, office, chambers, consulting room at the doctor's practice	<p><b>ON/OFF</b></p> <p>eMote/ eTech</p>
	<p><b>VARYING USERS</b></p> <p>In semi-public, accessible areas, in which varying visitors operate the fitting without further instruction.</p> <p>Semi-public area</p>	Hotel bathroom, restaurant, administrative building, customer toilet, theatre, museum, clinic	<p><b>AUTOMATIC</b></p> <p>eMote</p>
	<p>eMote fittings are not suitable for public areas, where access is not controlled so that fittings could be intentionally damaged.</p> <p>Public and commercial area</p>	Public toilets, motorway service station, railway station, airport, toilet in a commercial enterprise	<p><b>SEMI-AUTOMATIC</b></p> <p>eMote</p>

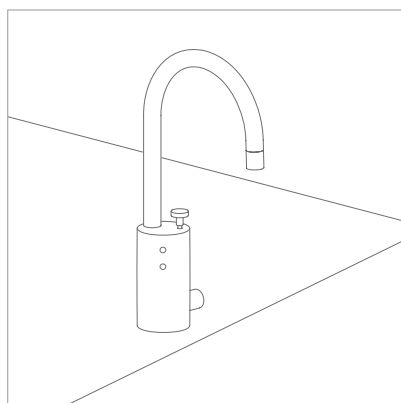
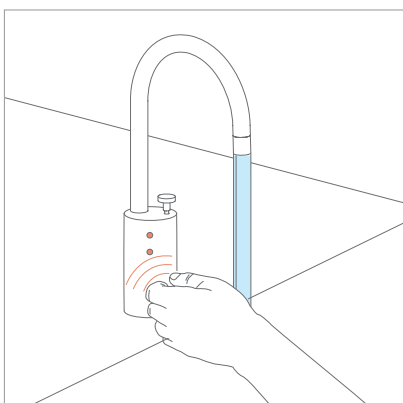
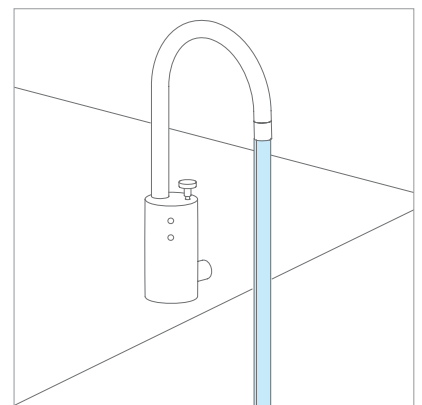
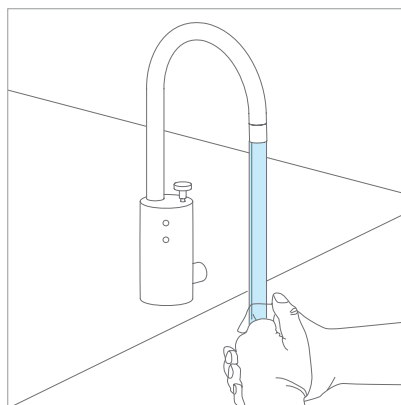
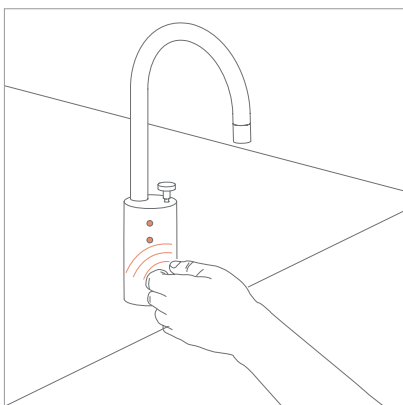


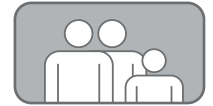
eMote infrared single-hole basin mixer with ON/OFF function and mixing button

**SAME USERS. THE ON/OFF FUNCTION** of this fitting allows the user to individually determine how much time is needed to wash. If the user holds their hand within the sensor reception range, a control pulse opens the fitting. Water then flows until the hand consciously approaches again to close the fitting. This easily comprehensible function is particularly suitable for end users in private areas. A sign with pictogram is available as an option, to help explain how it works.



PILLAR FITTING ON/OFF FUNCTION. The user holds their hand within the sensor reception range (about 3 -10 cm away) and activates the control pulse of the fitting without touching it. The water flows. The water continues to flow, even when your hands are no longer within the reception range. The user holds their hand in front of the sensors again to stop the water. The safety cut-out stops the water after a maximum of 60 seconds. The water temperature is set manually with the self-explanatory mixing button.

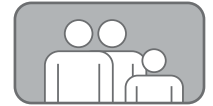




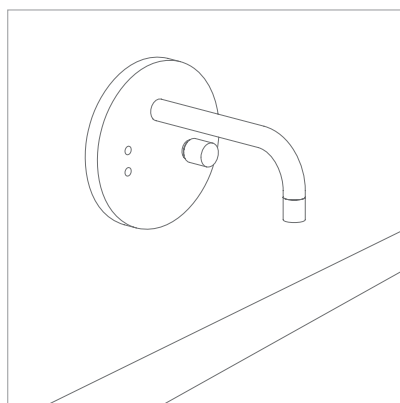
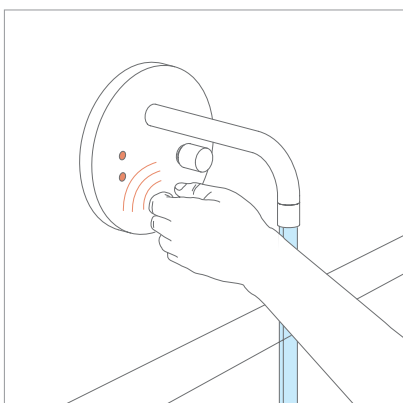
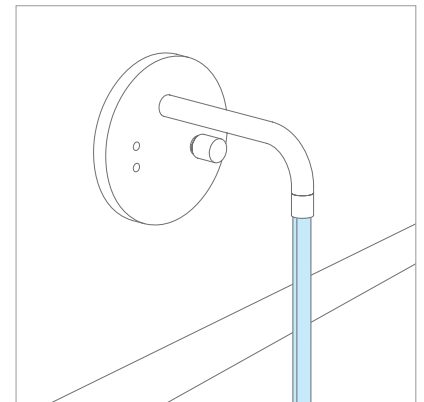
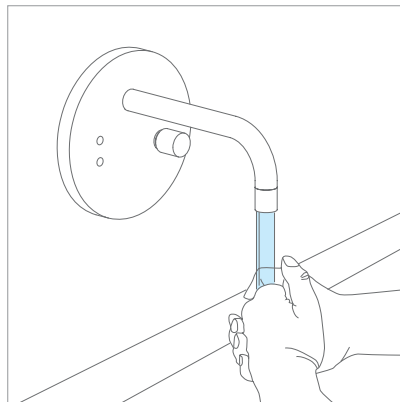
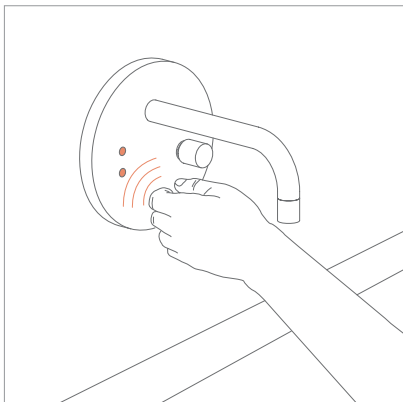
eMote wall-mounted infrared basin mixer with ON/OFF function and mixing button  
eTech wall-mounted infrared basin mixer with ON/OFF function and mixing button

**SAME USERS. THE ON/OFF FUNCTION** of the wall-mounted mixers closes and opens the fitting when the user gives the sign. Maximum individuality of touch-free control is assured by consciously calling up the period of time the water is in use. These fittings are particularly suitable for use by the same users in private rooms. A sign with pictogram is available as an option, to help explain how it works.





**WALL-MOUNTED FITTING ON/OFF FUNCTION.** The user holds their hand within the sensor reception range (about 3 -10 cm away). The fitting activates the control pulse and the water flows. The water continues to flow, even when your hands are no longer within the reception range. The user holds their hand in front of the sensors again to stop the water. The safety cut-out stops the water after a maximum of 60 seconds. The water temperature is set manually with the self-explanatory mixing button.



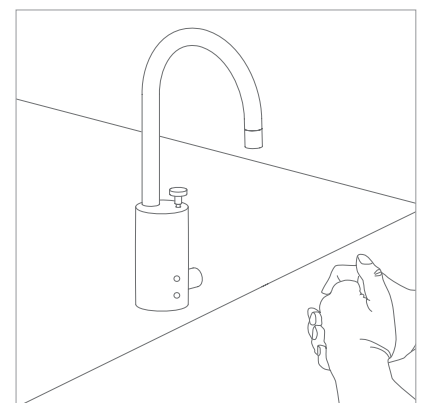
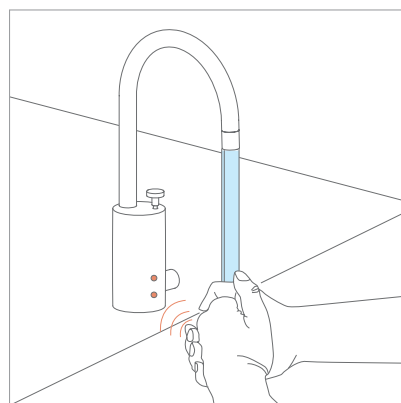
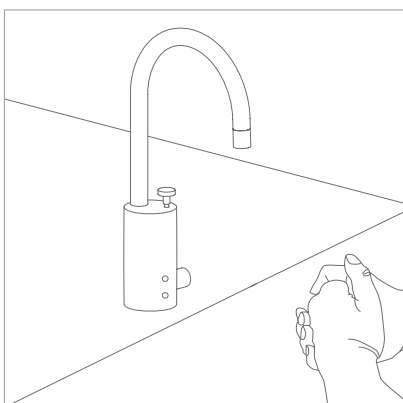


eMote infrared single-hole basin mixer with AUTOMATIC function and mixing button

VARYING USERS. THE AUTOMATIC FUNCTION of this fitting starts and stops the water automatically as the user approaches. The water runs automatically for as long as your hands are within the sensor reception range. This intuitive functionality makes the eMote single-hole mixer particularly suitable for semi-public areas, where it is operated by varying users. A sign with pictogram is available as an option, to help explain how it works.



**PILLAR FITTING AUTOMATIC FUNCTION.** The user holds their hands under the spout within the sensor reception range (3 to 17 cm away). The fitting activates the control pulse and the water flows. As soon as the user takes their hands away, the water stops. The automatic safety feature stops the water after no more than two minutes, to prevent continued reflection operating the fitting unintentionally. The water temperature is set manually with the self-explanatory mixing button.





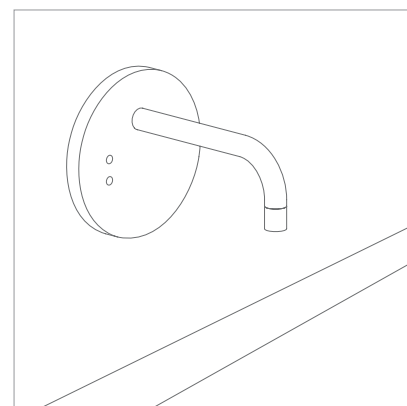
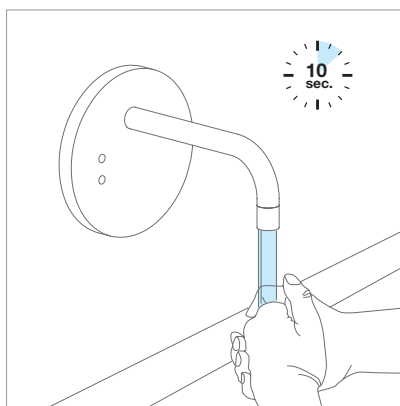
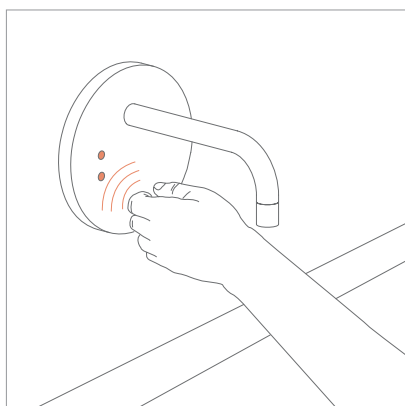


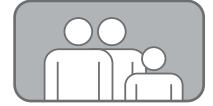
eMote wall-mounted infrared basin mixer with SEMIAUTOMATIC function without a mixing button

VARYING USERS. THE SEMIAUTOMATIC function of this fitting combines conscious starting and automatic cut-out of the water. The fitting closes automatically after ten seconds, independently of the user. Because of this safety cut-out, the eMote wall-mounted mixer is particularly suitable for semi-public areas and varying users. When hot and cold water are connected, the temperature of the mixed water is preset on the concealed element.

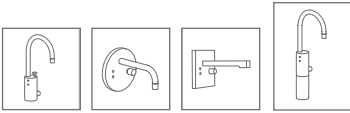


WALL-MOUNTED FITTING SEMIAUTOMATIC FUNCTION. The user holds their hand within the sensor reception range (about 3 -10 cm away). The fitting activates the control pulse and the water flows. Ten seconds later, the water stops automatically. This action can be repeated as often as required.

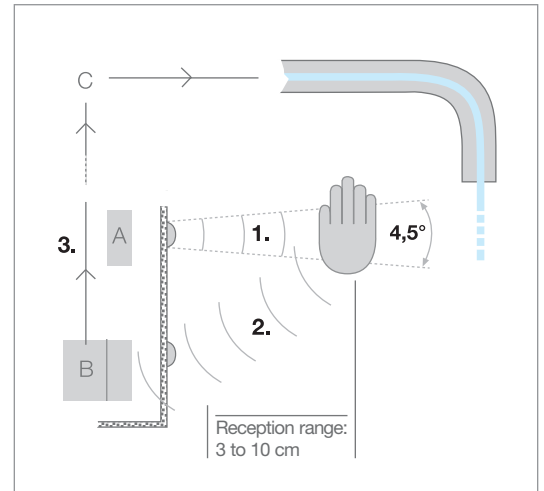




## ON/OFF



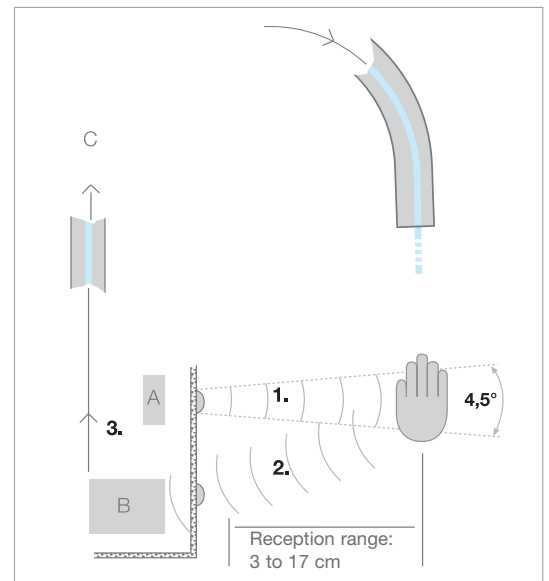
eMote ON/OFF TECHNOLOGY. The emitting diode ( A ) of the sensor emits invisible ( 1. ) infrared pulses, which are reflected ( 2. ) to the receiving diode ( B ) by the hands of the user. The pulse goes to the microcontroller ( B ) as a signal and opens the solenoid valve with a current pulse ( 3. ), so the water flows ( C ). A second reflection causes the microcontroller to close the solenoid valve again.



## AUTOMATIC



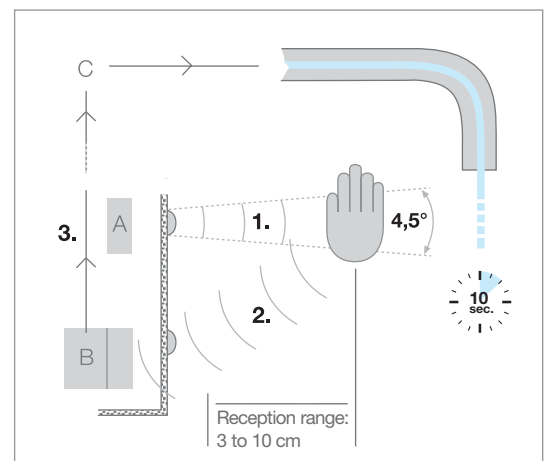
eMote AUTOMATIC TECHNOLOGY. The emitting diode ( A ) of the sensor emits invisible ( 1. ) infrared pulses, which are reflected ( 2. ) to the receiving diode ( B ) by the hands of the user. The pulse goes to the microcontroller ( B ) as a signal and opens the solenoid valve with a current pulse ( 3. ), so the water flows ( C ). When the reflection is over, the microcontroller closes the solenoid valve again.



## SEMIAUTOMATIC



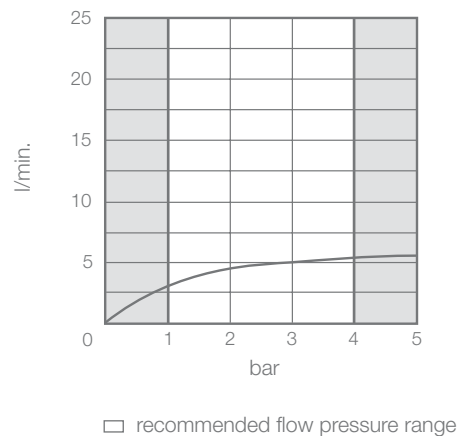
eMote SEMIAUTOMATIC TECHNOLOGY. The emitting diode ( A ) of the sensor emits invisible ( 1. ) infrared pulses, which are reflected ( 2. ) to the receiving diode ( B ) by the hands of the user. The pulse goes to the microcontroller ( B ) as a signal and opens the solenoid valve with a current pulse ( 3. ), so the water flows ( C ). Ten seconds later, the microcontroller closes the solenoid valve again.



### Operating conditions/installation hints

Recommended inlet temperature	65°C
Maximum inlet temperature (momentary)	80°C
Minimum flow pressure	1 bar
Maximum flow pressure	4 bar
Test pressure	16 bar
Noise rating	I /ISO 3822
Battery	Lithium 6 V, 2 CR 5
Battery life	approx. 3 years
Mark of conformity	CE

### Flow rate chart



Not suitable for open water heaters.

When used in conjunction with hydraulic flow heaters, remove the flow limiter.

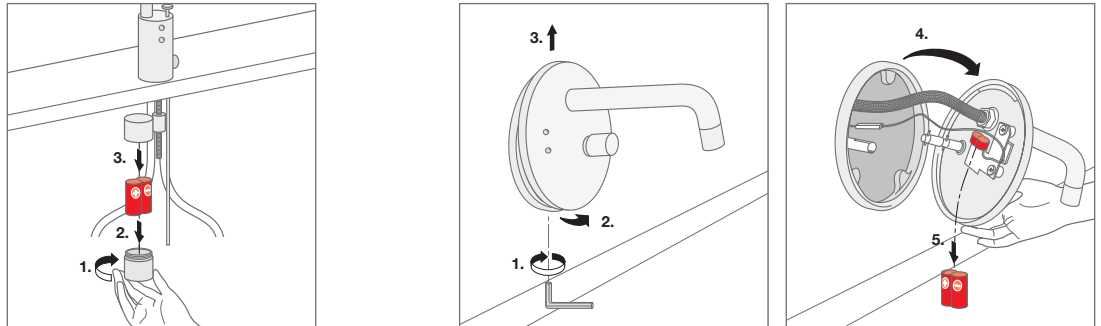
Before fitting, thoroughly flush out the pipes.

Limit the pressure when the non-operational pressure is over 5 bar.

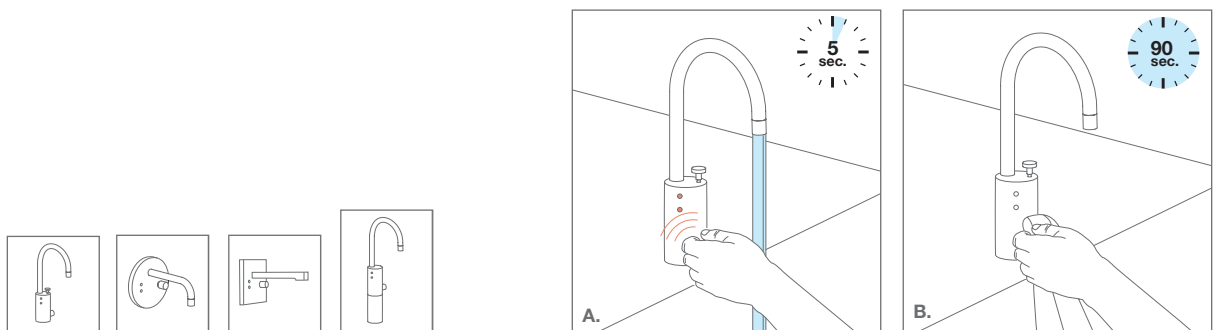
All the time the water is flowing, the valve does not draw any energy. Thanks to this technology, the battery life is about 3 years. The infrared sensors with ORAS Autofocus Technology work extremely precisely and reliably. Resolution is exact and is virtually independent of the colour and material of the reflection element.

**REPLACING THE BATTERY** for pillar and wall-mounted fittings. The upper sensor diode will start flashing to give plenty of warning that the battery needs replacing. An intelligent safety circuit ensures that the fitting closes before the battery is fully discharged and then switches off completely until a new battery is inserted.

The user can easily replace the battery themselves. With the pillar fitting, simply unscrew the bottom of the battery box and take out the battery. Insert the new battery and screw the bottom back on the battery box. With the wall-mounted fitting, loosen the small screw in the cover rosette and take the rosette off the wall. Replace the battery, put the rosette back into position and screw it back on. The life of the batteries is three year, on average.

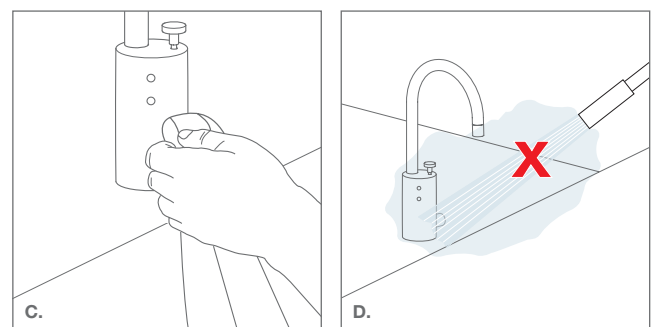


**CLEANING the ON/OFF pillar and wall-mounted fittings with Cleaning Mode.** To clean the body of the fitting, the function can be shut down temporarily. Keep your hand within the sensor reception range for five seconds (A.). The fitting switches off automatically and stops the flow of water for 90 seconds. The fitting can be cleaned during this time (B.) and is then immediately ready for action again. The process can be repeated, if required.

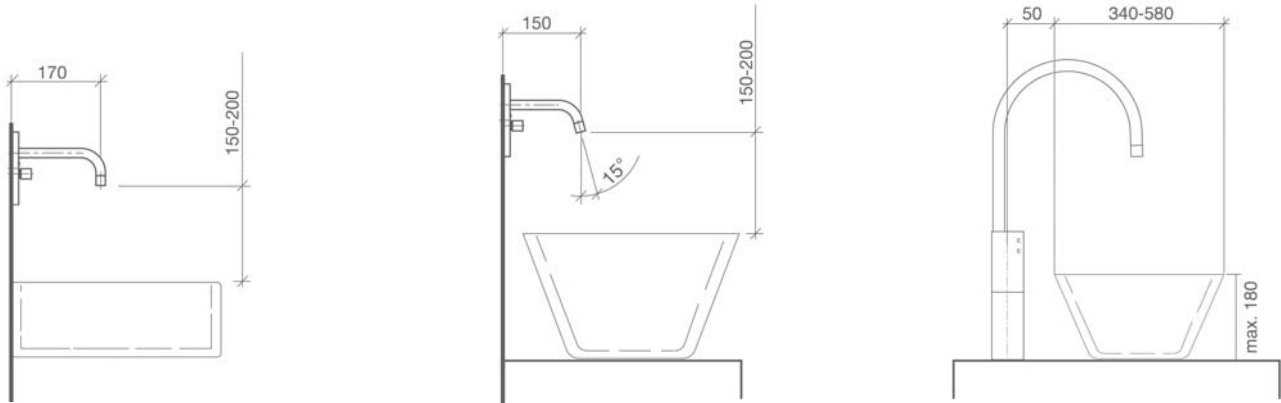


**CLEANING the AUTOMATIC fittings.** You can deactivate the function for cleaning and drying, by covering the lenses of the sensors with the cleaning clip supplied with the fitting.

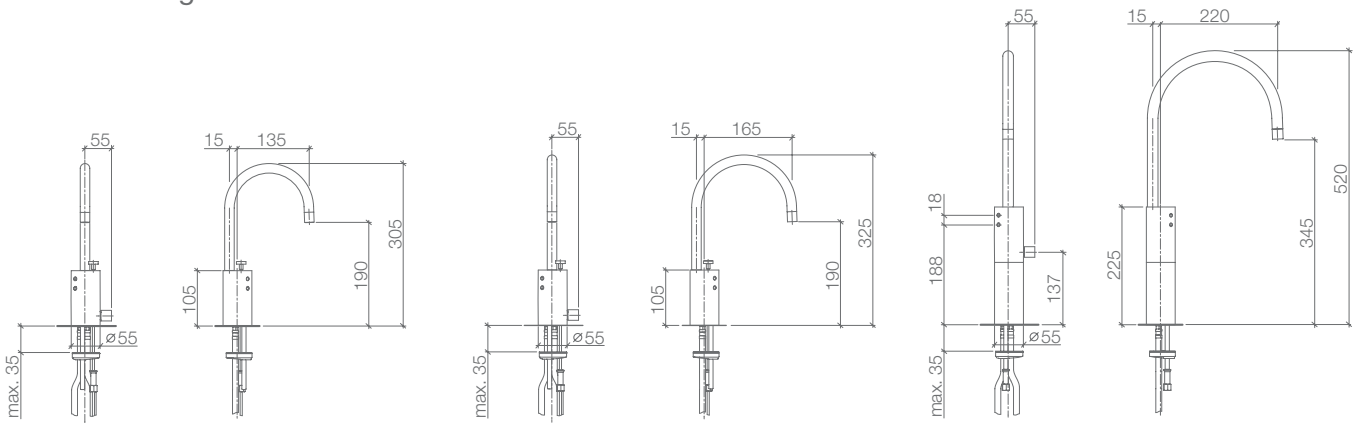
**CLEANING the sensors.** Carefully clean the diodes with a soft, damp cloth (C.). Please do not use any abrasive cleaning agents. **NOTE:** Because of the integrated electronics, the fittings must not be cleaned with pressure washers or steam cleaners (D.). Additional care and maintenance instructions can be found in the "Value.Care.Maintenance" brochure enclosed with the product.



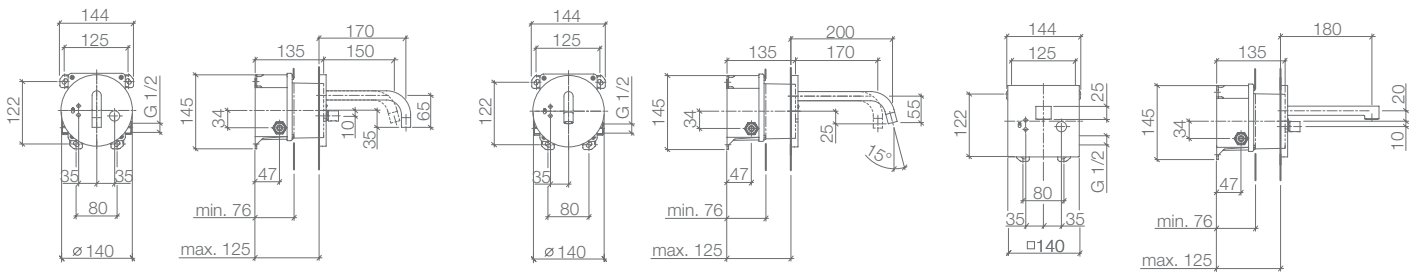
## Planning drawings



## Scale drawings

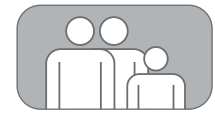


Infrared single-hole basin mixer









Wall-mounted infrared basin mixer









eMote	ON/OFF function	Finishes	
33 737 850	Infrared single-hole basin mixer <ul style="list-style-type: none"> <li>- 165 mm projection</li> <li>- with pop-up waste</li> </ul>	polished chrome platinum matt	33 737 850-00 33 737 850-06
			
33 735 850	Infrared single-hole basin mixer <ul style="list-style-type: none"> <li>- 135 mm projection</li> <li>- with pop-up waste</li> </ul>	polished chrome platinum matt	33 735 850-00 33 735 850-06
			
33 738 850	Infrared single-hole basin mixer <ul style="list-style-type: none"> <li>- 165 mm projection</li> <li>- without pop-up waste</li> </ul>	polished chrome platinum matt	33 738 850-00 33 738 850-06
			
33 736 850	Infrared single-hole basin mixer <ul style="list-style-type: none"> <li>- 135 mm projection</li> <li>- without pop-up waste</li> </ul>	polished chrome platinum matt	33 736 850-00 33 736 850-06
			
33 739 850	Infrared single-hole basin mixer with raised base <ul style="list-style-type: none"> <li>- for use with counter-top sinks</li> <li>- 220 mm projection</li> <li>- without pop-up waste</li> </ul>	polished chrome platinum matt	33 739 850-00 33 739 850-06
			



eMote / eTech	ON/OFF function	Finishes
36 730 850 	Wall-mounted infrared basin mixer with mixing button – 150 mm projection	polished chrome platinum matt 36 730 850-00 36 730 850-06
36 731 850 	Wall-mounted infrared basin mixer with mixing button – 170 mm projection	polished chrome platinum matt 36 731 850-00 36 731 850-06
36 731 100 	Wall-mounted infrared basin mixer with mixing button – 180 mm projection	polished chrome platinum matt 36 731 100-00 36 731 100-06
35 730 970 90 	Wall-mounted infrared basin mixer with mixing button – 180 mm projection	35 730 970 90
12 910 850-13 	Sign with pictogram – for eMote wall-mounted basin mixers with ON/OFF function – available individually – black	
12 915 850-13 	Sign with pictogram – for eMote single-hole basin mixers with ON/OFF function – available individually – black	



eMote	AUTOMATIC function	Finishes	
33 741 850	Infrared single-hole basin mixer <ul style="list-style-type: none"> <li>- 165 mm projection</li> <li>- with pop-up waste</li> </ul>	polished chrome platinum matt	33 741 850-00 33 741 850-06
			
33 740 850	Infrared single-hole basin mixer <ul style="list-style-type: none"> <li>- 135 mm projection</li> <li>- with pop-up waste</li> </ul>	polished chrome platinum matt	33 740 850-00 33 740 850-06
			
33 744 850	Infrared single-hole basin mixer <ul style="list-style-type: none"> <li>- 165 mm projection</li> <li>- without pop-up waste</li> </ul>	polished chrome platinum matt	33 744 850-00 33 744 850-06
			
33 742 850	Infrared single-hole basin mixer <ul style="list-style-type: none"> <li>- 135 mm projection</li> <li>- without pop-up waste</li> </ul>	polished chrome platinum matt	33 742 850-00 33 742 850-06
			
33 743 850	Infrared basin pillar tap <ul style="list-style-type: none"> <li>- 135 mm projection</li> <li>- without pop-up waste</li> </ul>	polished chrome platinum matt	33 743 850-00 33 743 850-06
			



eMote	SEMIAUTOMATIC function	Finishes	
36 751 850	<p>Wall-mounted infrared basin mixer without mixing button</p> <ul style="list-style-type: none"> <li>- 170 mm projection</li> </ul>	<p>polished chrome platinum matt</p>	<p>36 751 850-00 36 751 850-06</p>
36 752 850	<p>Wall-mounted infrared basin mixer without mixing button</p> <ul style="list-style-type: none"> <li>- 200 mm projection</li> </ul>	<p>polished chrome platinum matt</p>	<p>36 752 850-00 36 752 850-06</p>
35 730 970 90	<p>Concealed rough parts</p> <ul style="list-style-type: none"> <li>- Concealed built-in body</li> <li>- dust cover</li> <li>- flushing device</li> </ul>		<p>35 730 970 90</p>
12 916 850-13	<p>Sign with pictogram</p> <ul style="list-style-type: none"> <li>- for eMote single-hole basin mixers with AUTOMATIC function</li> <li>- available individually</li> <li>- black</li> </ul>		

## DORNBRACHT X-TRA SERVICE

Under the Dornbracht x-tra Service, eMote can also be made to measure, with special finishes.

Information on: Domestic Sales +49 (0)2371-433-470, Fax +49 (0)2371-433-232 / International Sales +49 (0)2371-433-460,  
Fax +49 (0)2371-433-135